

36" Standard-Depth 3-Door Refrigerator



BOSCH

300 Series – Stainless Steel B36FD30ENS

**ONLY AT
LOWE'S!**



B36FD30ENS
Stainless Steel

36" 300 Series French Door Bottom Freezer Refrigerator, Standard Depth, External Ice/Water Dispenser, Stainless Steel, Integrated Handle

Features & Benefits

Say goodbye to smudges and fingerprints with new anti-fingerprint stainless steel

Easily refill water with One Touch Bottle Fill and a taller dispenser that accommodates oversized drink containers

Never run out of ice with QuickIce Pro®, the fastest ice maker in its class, producing 12 lbs. of ice per day

Convenient external control panel displays fridge and freezer temperature settings

Included ice bucket in freezer drawer allows additional 5 lbs. of ice storage

| Dimensions and Weight | |
|--|-----------------------|
| Overall width (inches) | 35 5/8" |
| Overall height (inches) | 70" |
| Overall depth with doors and handles (inches) | 33 1/8" |
| Overall depth without doors and handles (inches) | 28 3/8" |
| Required cutout size (HxWxD) (inches) | 70" x 36" x 25" |
| Net Weight /Gross Weight (approx.) (lbs.) | 327 / 355 |
| Style | |
| Color | Stainless Steel |
| Door handle type | Integrated handle |
| Interior finish | White |
| Standard depth | Yes |
| Performance | |
| VitaFresh® Pro | No |
| Evaporators / Compressors | 1 / 1 |
| QuickIce Pro® | Yes |
| Automatic defrosting | Yes |
| External water dispenser | Yes |
| One touch bottle fill | Yes |
| Capacity and Storage | |
| Total capacity (cu. ft.) | 26 |
| Refrigerator capacity (cu. ft.) | 18 |
| Freezer capacity (cu. ft.) | 8 |
| Full-extension freezer storage drawer | 1 |
| 2-tiered freezer drawer | Yes |
| Full-width chiller drawer | 1 |
| Full extension crisper drawers | 2 |
| Storage shelves | 3 Adjustable, 1 Fixed |
| Small door bins | 4 |
| Large gallon door bins | 2 |

| General Features | |
|---|-----------------------------------|
| Anti-fingerprint stainless steel | Yes |
| External control panel | Yes |
| Water filter replacement indicator | Yes |
| Ice maker | Yes |
| Ice production (24 hrs.) (lbs.) | 12 lbs. |
| Ice storage capacity (lbs.) | 2.8 |
| LED interior and drawer lighting | Yes |
| Independent cooling systems | 1 |
| Cooling system | MultiAirFlow™ |
| Maximum sound level | 40 dBA |
| Wi-Fi-enabled for control with Home Connect™ app | Yes |
| Energy Efficiency | |
| Energy consumption (kWh/yr) | 702 |
| ENERGY STAR® certified | Yes |
| Technical Specs | |
| Required power supply | 110-127 V, 60 Hz, 15 Amp |
| Plug type | 120V-3 Prong |
| Power cord length (inches) | 91" |
| Operating Temperature | |
| Refrigerator: | 33°F (1°C) to 43°F (6°C) |
| Freezer Drawer: | -7°F (-22°C) to 6°F (-14°C) |
| SuperCool: | 30°F (-1°C) for approx. 8 Hours |
| SuperFreeze®: | -15°F (-26°C) for approx. 8 Hours |
| Warranty | |
| Limited warranty, parts & labor | 1 Year |
| Optional Accessories | |
| Replacement UltraClarityPro® water filter: BORPLFTR55 | |
| Water filter bypass (part no.): | 10013297 |
| 90 degree door stopper: | 10012733 |

HomeConnect



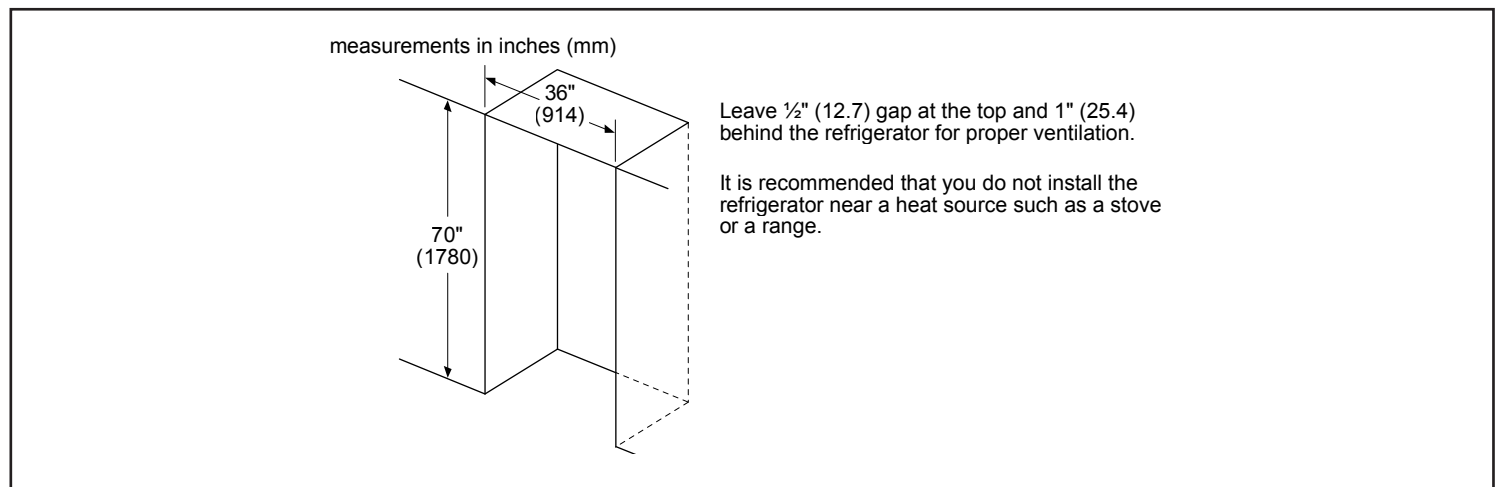
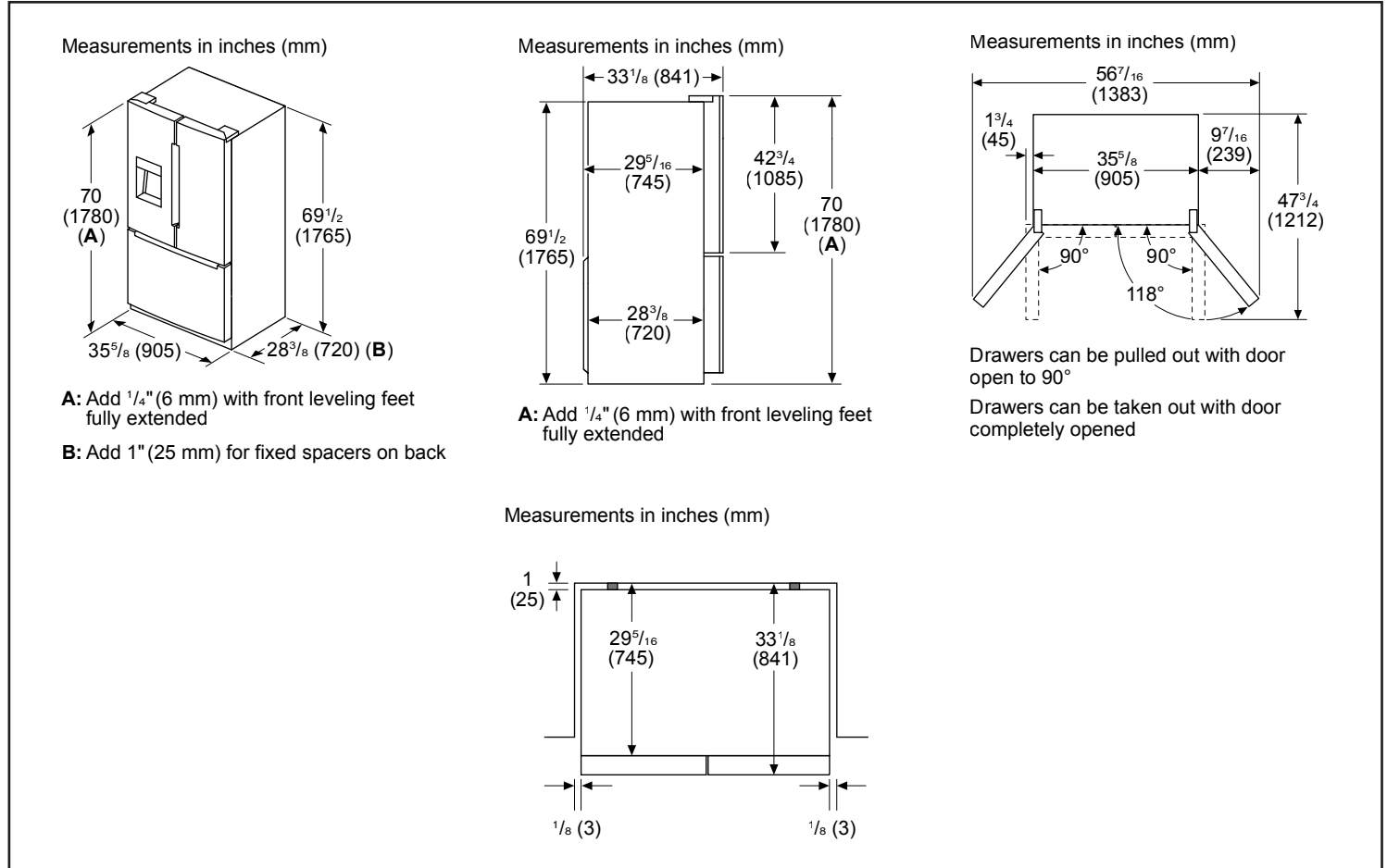
36" Standard-Depth 3-Door Refrigerator



300 Series – Stainless Steel B36FD30ENS

**ONLY AT
LOWE'S!**

Installation Details



Accessories: To purchase Bosch accessories, cleaners & parts please visit www.bosch-home.com/us/store or call 1-800-944-2904 (Mon to Fri 5 am to 6 pm PST, Sat 6 am to 3 pm PST).

Notes: All height, width and depth dimensions are shown in inches. BSH reserves the absolute and unrestricted right to change product materials and specifications, at any time, without notice. Consult the product's installation instructions for final dimensional data and other details prior to making cutout.

Warranties: Please see Use & Care manual or Bosch website for statement of limited warranty.

For more information on our entire line of products, go to www.bosch-home.com/us or call 1-800-944-2904

© BSH Home Appliances Corporation. All rights reserved. Bosch is a registered trademark of Robert Bosch GmbH.