

# 18" Recessed Handle ADA-compliant Dishwasher



800 Series – Stainless Steel SPE68C75UC



**SPE68C75UC**  
Stainless Steel

The 18" wide dishwasher perfectly fits in compact spaces.

## Features & Benefits

44 dBA: dishwasher runs quietly so your kitchen conversations aren't interrupted.

Patented CrystalDry™ technology transforms moisture into heat to get dishes, including plastics, drier.\*

Get hands-free voice operation with Amazon Alexa or Hey Google, smart reordering of detergent tabs via the Amazon Alexa app, plus so much more—all with the Home Connect® app on your smartphone.

3rd rack provides the perfect space for silverware and large utensils while its V shape leaves room below for taller items. Also includes a lower rack silverware basket.

AquaStop Plus® detects leaks with a dual sensor system, and then contains them for premium protection.

General Properties	
Number of wash cycles	6
Number of options	5
Special Program	Machine Care
dBA	44
Wash system	PrecisionWash®
Drying system	CrystalDry™
Third rack	Standard
Rack adjustability	RackMatic®
Tub material	Stainless steel
Control type	Buttons
Concealed water heating element	Yes
Leak protection system	24/7 AquaStop® Plus
NSF®-certified† sanitize option	Yes
Water softener	No
Five-level wash	Yes
Child Lock button suspension	Yes
Home Connect® (Wi-Fi enabled)	Yes
Anti-Fingerprint Finish	Yes
Special features	InfoLight®, Favorite button
Efficiency	
Water usage per cycle	2.8 gal
ENERGY STAR® certified	Yes
Total annual energy consumption	240 kWh
Capacity	
Number of place settings	10



\* Based on aggregate average drying performance of Bosch Dishwashers with CrystalDry™ on combined household load including plastics, glass, steel, and porcelain as compared to Bosch Dishwashers with PureDry™. Drying performance may vary by dish type.

Technical Details	
Watts	1440 W
Current	12 Amps
Volts	120 V
Frequency	60 Hz
Power cord full length	67"
Power cord install length from edge of unit when facing the door	Left – 51" Right – 51"
Minimum water pressure	7 lb/sin
Length inlet hose	65"
Length outlet hose	80 5/8"

## Dimensions & Weight

Overall appliance dimensions (HxWxD)	32 1/16" x 17 5/8" x 22 9/16"
Required cutout size (HxWxD)	32 1/8" x 17 3/4" x 24"
Adjustable feet	Yes
Net weight	75 lbs

## Accessories—Optional

Junction Box	SMZPCJB1UC
Dishwasher Drain Hose Extension 76 3/4"	SGZ1010UC
Accessory Kit	SMZ5000
Decorative Strips	SGZ0BI02
Edge Protector + Power Cord Clip Install Kit	SMZEPCC1UC



**Accessories:** To purchase Bosch accessories, cleaners & parts please visit [www.bosch-home.com/us/store](http://www.bosch-home.com/us/store) or call 1-800-944-2904 (Mon to Fri 5 am to 6 pm PST, Sat 6 am to 3 pm PST).

**Notes:** All height, width and depth dimensions are shown in inches. BSH reserves the absolute and unrestricted right to change product materials and specifications, at any time, without notice. Consult the product's installation instructions for final dimensional data and other details prior to making cutout.

**Warranties:** Please see Use & Care manual or Bosch website for statement of limited warranty.

**For more information on our entire line of products, go to [www.bosch-home.com/us](http://www.bosch-home.com/us) or call 1-800-944-2904**

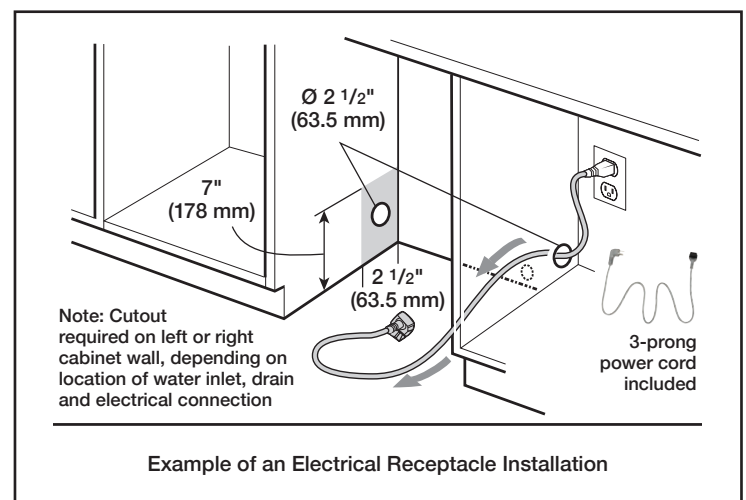
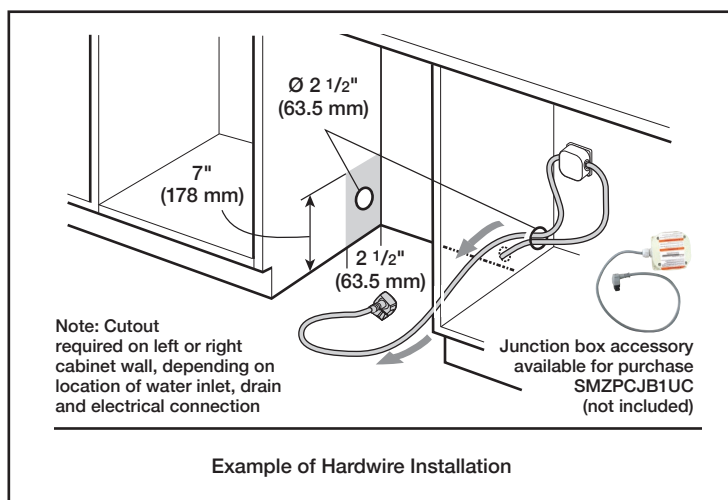
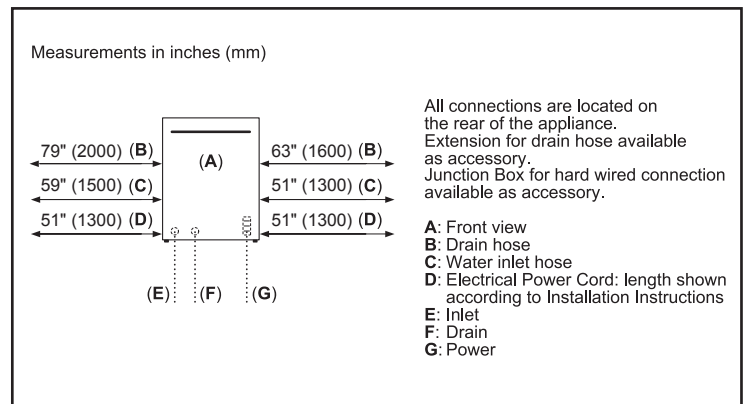
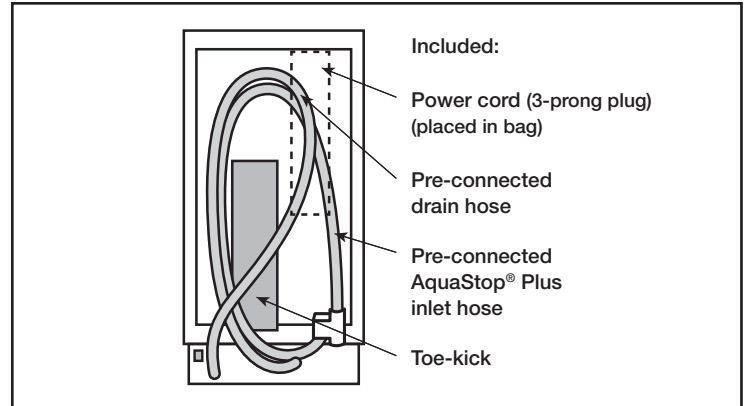
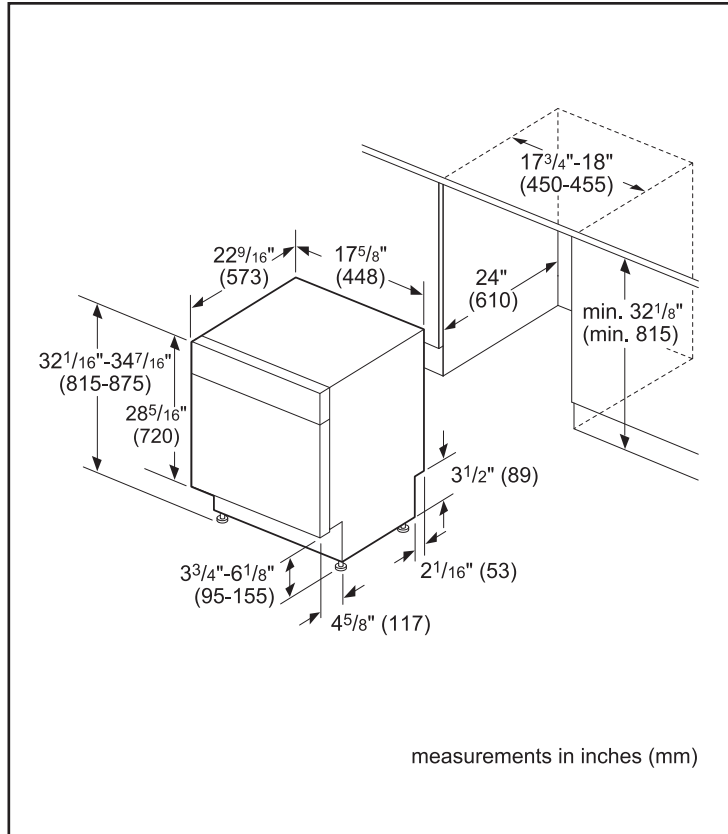
© BSH Home Appliances Corporation. All rights reserved. Bosch is a registered trademark of Robert Bosch GmbH.

# 18" Recessed Handle ADA-compliant Dishwasher



800 Series – Stainless Steel SPE68C75UC

## Installation Details



**Accessories:** To purchase Bosch accessories, cleaners & parts please visit [www.bosch-home.com/us/store](http://www.bosch-home.com/us/store) or call 1-800-944-2904 (Mon to Fri 5 am to 6 pm PST, Sat 6 am to 3 pm PST).

**Notes:** All height, width and depth dimensions are shown in inches. BSH reserves the absolute and unrestricted right to change product materials and specifications, at any time, without notice. Consult the product's installation instructions for final dimensional data and other details prior to making cutout.

**Warranties:** Please see Use & Care manual or Bosch website for statement of limited warranty.

**For more information on our entire line of products, go to [www.bosch-home.com/us](http://www.bosch-home.com/us) or call 1-800-944-2904**

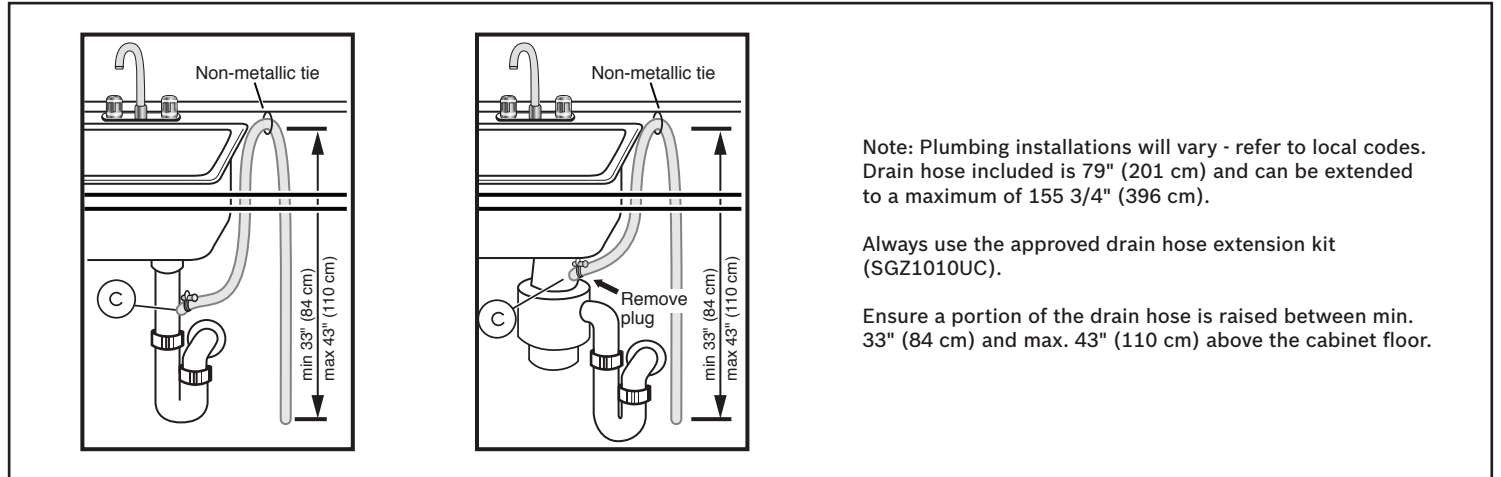
© BSH Home Appliances Corporation. All rights reserved. Bosch is a registered trademark of Robert Bosch GmbH.

# 18" Recessed Handle ADA-compliant Dishwasher



800 Series – Stainless Steel SPE68C75UC

## Installation Details



**Accessories:** To purchase Bosch accessories, cleaners & parts please visit [www.bosch-home.com/us/store](http://www.bosch-home.com/us/store) or call 1-800-944-2904 (Mon to Fri 5 am to 6 pm PST, Sat 6 am to 3 pm PST).

**Notes:** All height, width and depth dimensions are shown in inches. BSH reserves the absolute and unrestricted right to change product materials and specifications, at any time, without notice. Consult the product's installation instructions for final dimensional data and other details prior to making cutout.

**Warranties:** Please see Use & Care manual or Bosch website for statement of limited warranty.

**For more information on our entire line of products, go to [www.bosch-home.com/us](http://www.bosch-home.com/us) or call 1-800-944-2904**

© BSH Home Appliances Corporation. All rights reserved. Bosch is a registered trademark of Robert Bosch GmbH.