

# 30" Speed Combination Oven

Benchmark® Series – Stainless Steel HBLP752UC



**HBLP752UC**  
Stainless Steel

The Bosch speed combination oven allows for faster cooking results and features a QuietClose® door.

## Features & Benefits

Cooks Faster than a traditional oven and can be used as a microwave.

Dampened hinges softly and quietly guide the QuietClose® door shut.

The color TFT control panel with SteelTouch® buttons is easy to use.

A full-extension telescopic rack offers safe access to the oven cavity.

The wall oven is designed to be installed flush with cabinetry.

## General Properties

**Cooking modes – upper cavity** Speed oven; TFT display, 12 Auto Programs (including Auto Defrost, Melt Butter, Soften Ice Cream, Pizza), 9 Sensor Cook Programs, 9 SpeedChef® Programs, Hi & Lo Broil, European Convection, Keep Warm, Frozen Foods

**Cooking modes – lower cavity** Bake, Variable Broil (hi & low), Roast, Warm, Sabbath, Proof Dough, Convection Bake, Convection Broil, Convection Roast, Pizza, Multi Rack Genuine European Convection, Convection Conversion, AutoProbe, Fast Preheat, EcoChef, Speed Convection (Frozen Foods)

**Cleaning type – lower** Self Clean

**Telescopic rack** 1

**Illumination type** Halogen (Upper and Lower)

**Interior lights** 1 Upper / 2 Lower

## Oven Performance

**Microwave power – upper cavity** 1000 W

**Bake / broil element wattages – upper cavity** 600 / 1,750 W

**Convection element wattages – upper cavity** 1,700 W

**Bake / broil element wattages – lower cavity** 2,400 / 3,800 W

**Convection element wattages – lower cavity** 1700 W / 2000 W

## Technical Details

**Watts (W)** 9,600 W

**Circuit breaker (A)** 40 A

**Volts (V); Frequency (Hz)** 240 / 208 V; 60 Hz

**Power cord length (in)** 50"

**Plug type** Fixed Connection, No Plug

**Energy source** Electric

## Dimensions & Weight

**Overall appliance dimensions (HxWxD) (in)** 49" x 29 3/4" x 24 1/2"

**Required cutout size – Standard (HxWxD) (in)** 48 5/8" x 28 1/2" x 23 1/2"

**Required cutout size – Flush (HxWxD) (in)** 49 1/8" x 30" x 24 1/2"

**Oven cavity size – upper** 1.6 cu. ft.

**Overall upper oven interior dimensions (HxWxD) (in.)** 9 7/8" x 16 1/2" x 16 1/2"

**Turntable – Metal Max. Cookware – upper** 12 3/4" dia.

**Turntable – Ceramic Max. Cookware – upper** 12 1/2" dia.

**Rack – Rectangular Cookware Max. – upper** 15" x 12"

**Oven cavity size – lower** 4.6 cu. ft.

**Overall lower oven interior dimensions (HxWxD) (in)** 17 13/16" x 24 1/8" x 18"

**Usable lower oven interior dimensions (HxWxD) (in)** 12 5/16" x 23 1/4" x 15 1/4"

**Net weight (lbs)** 259 lbs

## Accessories—Included

Upper Oven: Metal Turntable, Square rack, Ceramic Cooking Tray  
Lower Oven: 1 Telescopic and 2 Standard Oven Racks, Temperature Probe, Broiler Pan

## Accessories—Optional



**HEZTR301**  
30" Telescopic Rack



\*Wall oven only

**Accessories:** To purchase Bosch accessories, cleaners & parts please visit [www.bosch-home.com/us/store](http://www.bosch-home.com/us/store) or call 1-800-944-2904 (Mon to Fri 5 am to 6 pm PST, Sat 6 am to 3 pm PST).

**Notes:** All height, width and depth dimensions are shown in inches. BSH reserves the absolute and unrestricted right to change product materials and specifications, at any time, without notice. Consult the product's installation instructions for final dimensional data and other details prior to making cutout.

**Warranties:** Please see Use & Care manual or Bosch website for statement of limited warranty.

**For more information on our entire line of products, go to [www.bosch-home.com/us](http://www.bosch-home.com/us) or call 1-800-944-2904**

© BSH Home Appliances Corporation. All rights reserved. Bosch is a registered trademark of Robert Bosch GmbH.

# 30" Speed Combination Oven

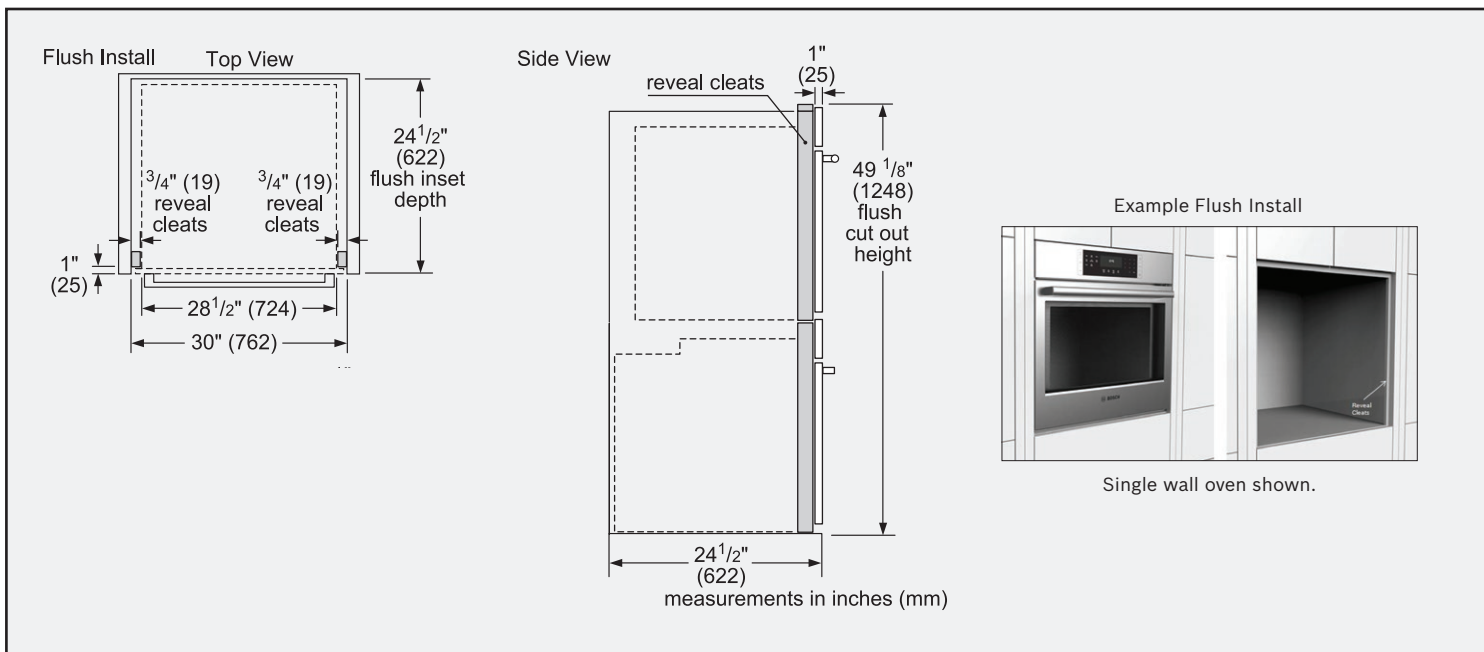
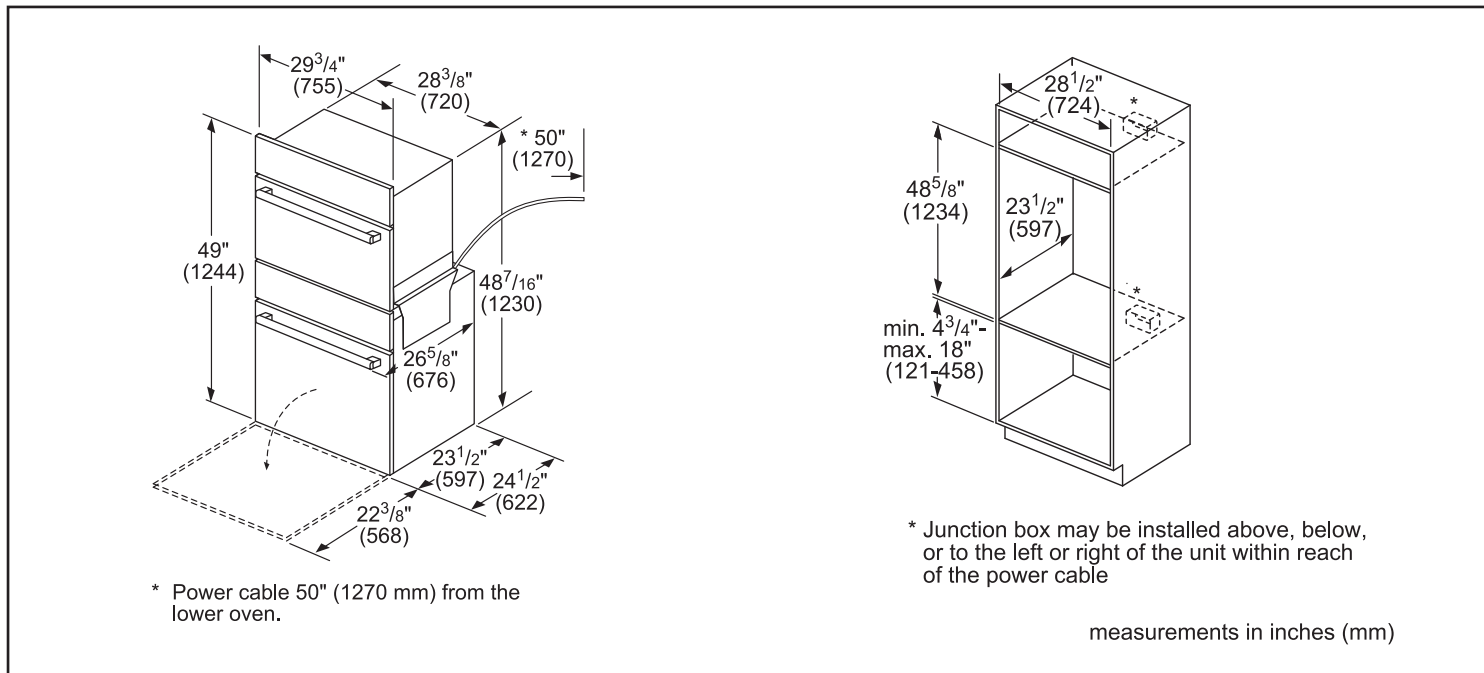
Benchmark® Series – Stainless Steel HBLP752UC



**BOSCH**  
Invented for life



## Installation Details



**Accessories:** To purchase Bosch accessories, cleaners & parts please visit [www.bosch-home.com/us/store](http://www.bosch-home.com/us/store) or call 1-800-944-2904 (Mon to Fri 5 am to 6 pm PST, Sat 6 am to 3 pm PST).

**Notes:** All height, width and depth dimensions are shown in inches. BSH reserves the absolute and unrestricted right to change product materials and specifications, at any time, without notice. Consult the product's installation instructions for final dimensional data and other details prior to making cutout.

**Warranties:** Please see Use & Care manual or Bosch website for statement of limited warranty.

**For more information on our entire line of products, go to [www.bosch-home.com/us](http://www.bosch-home.com/us) or call 1-800-944-2904**

© BSH Home Appliances Corporation. All rights reserved. Bosch is a registered trademark of Robert Bosch GmbH.

# 30" Speed Combination Oven

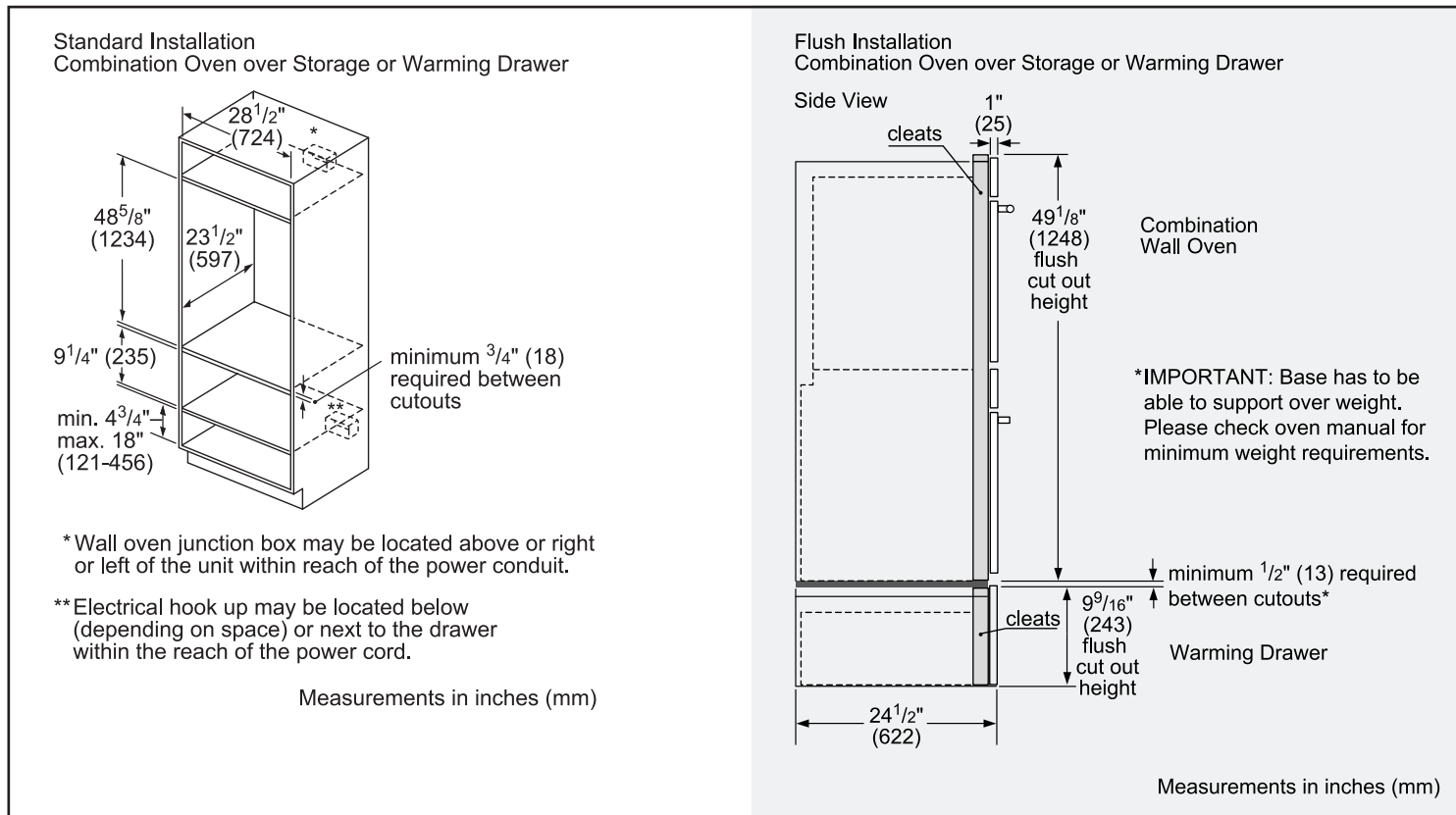
Benchmark® Series – Stainless Steel HBLP752UC



**BOSCH**  
Invented for life



## Installation Details



**Accessories:** To purchase Bosch accessories, cleaners & parts please visit [www.bosch-home.com/us/store](http://www.bosch-home.com/us/store) or call 1-800-944-2904 (Mon to Fri 5 am to 6 pm PST, Sat 6 am to 3 pm PST).

**Notes:** All height, width and depth dimensions are shown in inches. BSH reserves the absolute and unrestricted right to change product materials and specifications, at any time, without notice. Consult the product's installation instructions for final dimensional data and other details prior to making cutout.

**Warranties:** Please see Use & Care manual or Bosch website for statement of limited warranty.

**For more information on our entire line of products, go to [www.bosch-home.com/us](http://www.bosch-home.com/us) or call 1-800-944-2904**

© BSH Home Appliances Corporation. All rights reserved. Bosch is a registered trademark of Robert Bosch GmbH.