

# 24" Compact Washer

500 Series – WAT28401UC



**WAT28401UC**  
White

The 500 series washer & dryer are one of the few ENERGY STAR® qualified 24" pairs offering quality, water protection & design.

## Features & Benefits

AquaShield® provides protection against water damage.

The 500 series Bosch washer is ENERGY STAR® qualified.

SpeedPerfect™ provides up to 40% faster washing time.\*

EcoSilence motor delivers quiet, efficient & long lasting performance.

At 2.2 cu. ft., Bosch washers are compact in size without sacrificing capacity so you can fit a variety of loads.

\*As compared to Perm Press Heavy Soil cycle without SpeedPerfect™



General Properties	
Drum material	Stainless Steel
Maximum spin speed (rpm)	1,400
Interior light	No
Leak protection systems	AquaShield® Hose
Internal water heater	Yes
Stackable	Yes
Silence level – washing (dBA)	52
Silence level – spinning (dBA)	72
Programs (No.), [Special]	(15), [Bulky/Large Items, Towels]
Options (No.), [Special]	(6), [SpeedPerfect™, PreWash]
Energy consumption (kWh/yr)	84
Water consumption (gal/yr)	2,294
ENERGY STAR® qualified	Yes
Capacity	
Capacity (cu. ft.)	2.2
Design Elements	
Door ring	Silver
Control type	Touch
Dial	Silver ring with white center
Bosch logo on door glass	Yes



Technical Details	
Watts (W)	2,520
Circuit breaker if plugged into an individual circuit (A)	20
Volts (V)	208/220-240
Current (A)	10.5
Frequency (Hz)	60
Plug type	240V; NEMA 6-15 (3 prong)
Power cord included	Yes
Power cord length (in)	63 (Full Length)
Drain hose length (in)	57 (Full Length)
Inlet hose length (in)	59 (Full Length)
Door hinge	Left Side (Not Reversible)
Dimensions & Weight	
Overall appliance dimensions (HxWxD)(in)	33 1/4" x 23 1/2" x 25"
Net weight (lbs)	160
Minimum stack height (in)	67 3/4"

ADA compliance  
 – Meets ADA height and access requirements *when installed on pedestal.*  
 – Meets ADA operable parts requirements for controls and detergent dispenser.

Accessories—Optional	
Short Stainless Steel Hose (If needed for plumbing box clearance with AQS hose)	P/N 645787



**WMZ20490**  
Pedestal

**Accessories:** To purchase Bosch accessories, cleaners & parts please visit [www.bosch-home.com/us/store](http://www.bosch-home.com/us/store) or call 1-800-944-2904 (Mon to Fri 5 am to 6 pm PST, Sat 6 am to 3 pm PST).

**Notes:** All height, width and depth dimensions are shown in inches. BSH reserves the absolute and unrestricted right to change product materials and specifications, at any time, without notice. Consult the product's installation instructions for final dimensional data and other details prior to making cutout.

**Warranties:** Please see Use & Care manual or Bosch website for statement of limited warranty.

**For more information on our entire line of products, go to [www.bosch-home.com/us](http://www.bosch-home.com/us) or call 1-800-944-2904**

© BSH Home Appliances Corporation. All rights reserved. Bosch is a registered trademark of Robert Bosch GmbH.

# 24" Compact Washer

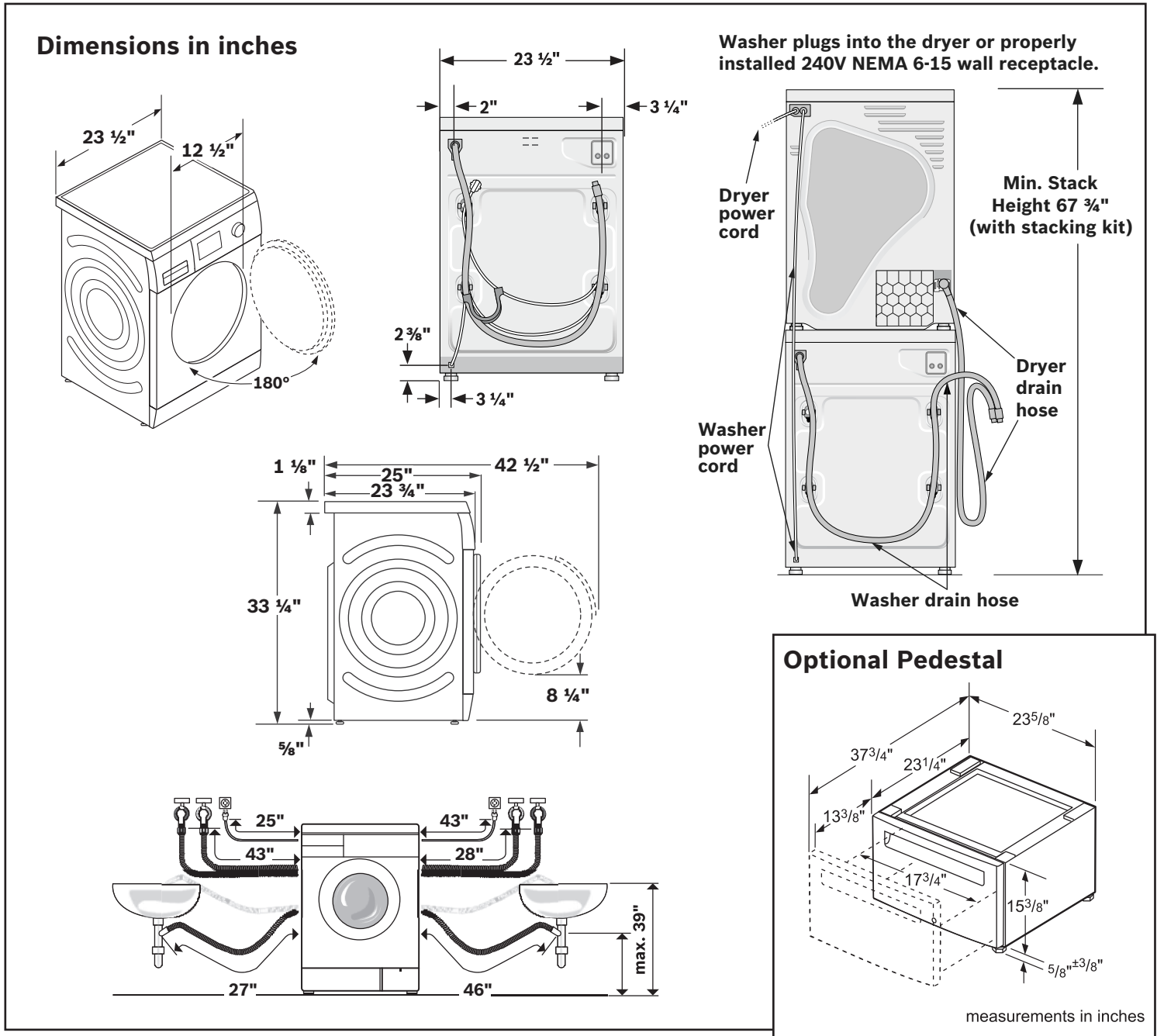
500 Series – WAT28401UC



**BOSCH**

Invented for life

## Installation Details



**Accessories:** To purchase Bosch accessories, cleaners & parts please visit [www.bosch-home.com/us/store](http://www.bosch-home.com/us/store) or call 1-800-944-2904 (Mon to Fri 5 am to 6 pm PST, Sat 6 am to 3 pm PST).

**Notes:** All height, width and depth dimensions are shown in inches. BSH reserves the absolute and unrestricted right to change product materials and specifications, at any time, without notice. Consult the product's installation instructions for final dimensional data and other details prior to making cutout.

**Warranties:** Please see Use & Care manual or Bosch website for statement of limited warranty.

**For more information on our entire line of products, go to [www.bosch-home.com/us](http://www.bosch-home.com/us) or call 1-800-944-2904**

© BSH Home Appliances Corporation. All rights reserved. Bosch is a registered trademark of Robert Bosch GmbH.

# 24" Compact Washer

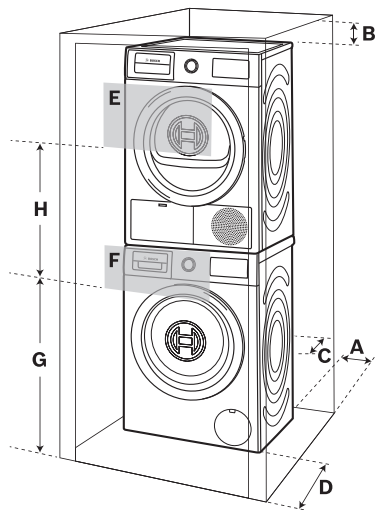
500 Series – WAT28401UC



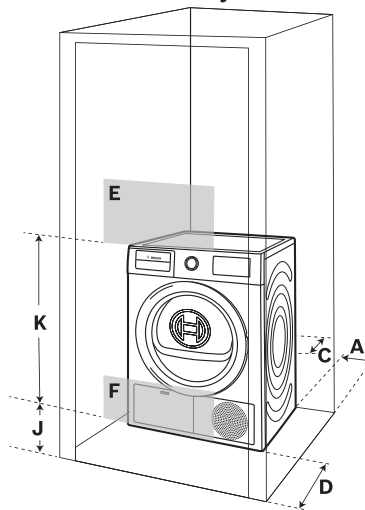
**BOSCH**  
Invented for life

## Installation Details

Closet: Stacked



Closet: Stand Alone (shown) or Side by Side



### Clearance requirements (Minimum)

A Both Sides	5/8 in.
B Top	6 1/4 in.
C Rear	2 1/2 in.
D Front	2 1/2 in.

### Ventilation Area (Minimum)

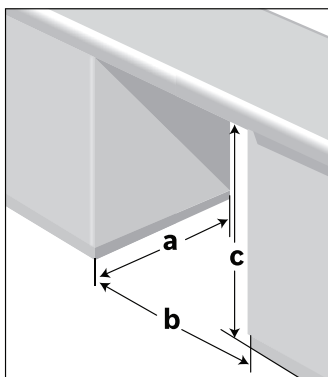
E Top	63 sq. in.
F Bottom	63 sq. in.

### Vent Spacing

G	37 in.
H	26 in.
J	3 in.
K	29 in.

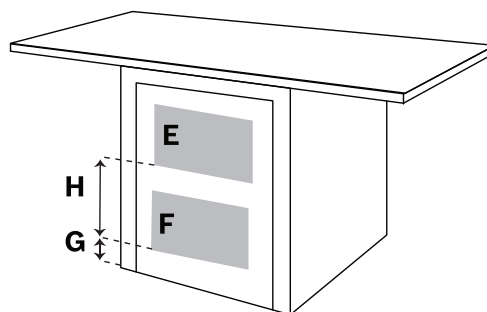
## Enclosure Dimensions

Under Counter: (Preferred)



Front of the appliance fully open. No doors or coverings.

Under Counter: (Less Preferred)



If the front of the appliance is covered, ventilation openings must be installed as shown and front/rear clearances adhered to according to closet installations.

### Minimum opening dimensions

a	28 in.
b	23 7/8 in.
c	34 1/2 in.

### E & F are minimum area sizes

E	63 sq. in.
F	63 sq. in.

### G & H actual spacing dimensions for min. open area sizes

G	3 in.
H	14 in.

**Accessories:** To purchase Bosch accessories, cleaners & parts please visit [www.bosch-home.com/us/store](http://www.bosch-home.com/us/store) or call 1-800-944-2904 (Mon to Fri 5 am to 6 pm PST, Sat 6 am to 3 pm PST).

**Notes:** All height, width and depth dimensions are shown in inches. BSH reserves the absolute and unrestricted right to change product materials and specifications, at any time, without notice. Consult the product's installation instructions for final dimensional data and other details prior to making cutout.

**Warranties:** Please see Use & Care manual or Bosch website for statement of limited warranty.

For more information on our entire line of products, go to [www.bosch-home.com/us](http://www.bosch-home.com/us) or call 1-800-944-2904

© BSH Home Appliances Corporation. All rights reserved. Bosch is a registered trademark of Robert Bosch GmbH.