

Monthly Update: Training Center



June 2016

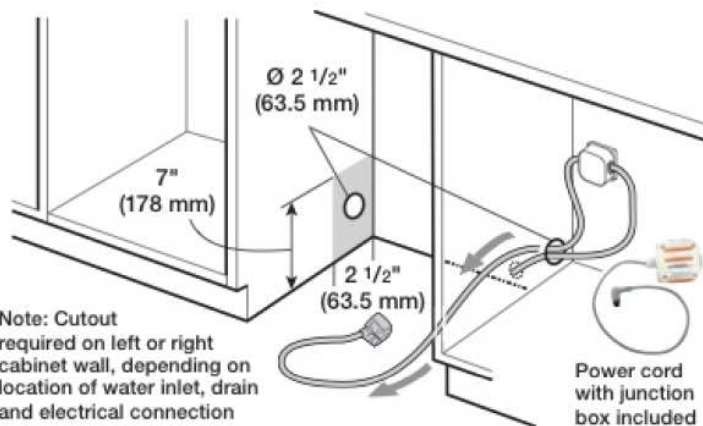


BOSCH
Invented for life

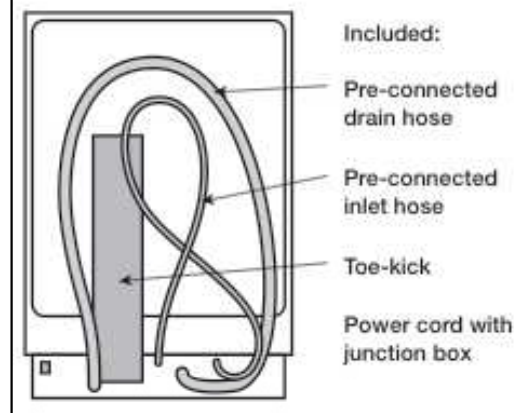
300, 500, 800 Series Dishwasher Power Cord

Bosch mainline dishwashers (300, 500 and 800 series) ship with pre-attached hoses. They have the option to be hardwired using the included junction box or can be plugged in using the Bosch 3-prong power cord that is an optional accessory (sold separately).

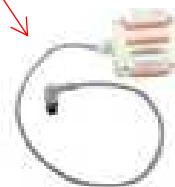
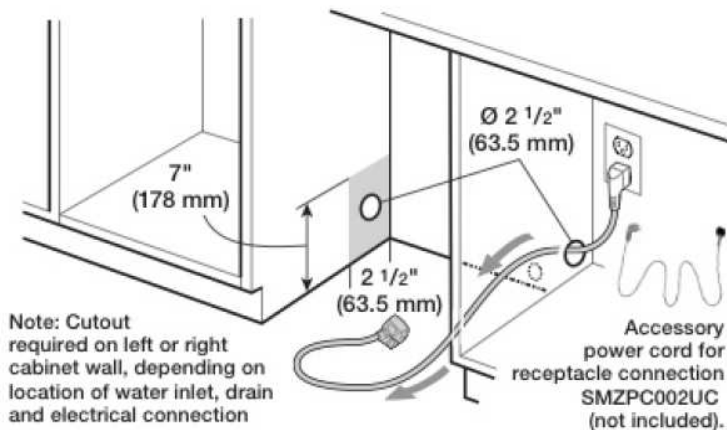
Example of Hardwire Installation



Included Parts & Accessories



Example of Electrical Receptacle Installation



Power cord with junction box included



3-Prong Power Cord
(NOT Included-sold separately)
Model: SMZPC002UC

Get Answers to your Bosch appliance questions...

For any additional questions on Bosch appliances, please contact our product specialists through our sales support website: www.askboschlowes.com Live Chat: Mon-Fri 8:30AM to 5:00PM EST. Outside of chat hours? Submit a question and receive a response within 24 Hours.